

## AEF EV Fuse



### FEATURES:

- 800 VDC High-speed EV fuse
- Rated Current: 200-630 A
- Rated Breaking Capacity: 20 kA
- Dimensions: 43x43x51 mm
- Fast Acting fuse for EV/HEV, HV Connectors, Manual Service Disconnects(MSD)
- Ref. to IEC 60269

### ELECTRICAL SPECIFICATIONS

Part Number		Rated Current	Ampere Code	Rated Voltage	Breaking Capacity	Dissipation(W)	
						0.5I <sub>n</sub>	1.0I <sub>n</sub>
AEF3200800	AEF3200801	200 A	3200	800 VDC	20 kA@800 VDC	9.0	33.2
AEF3250800	AEF3250801	250 A	3250			11.3	41.5
AEF3300800	AEF3300801	300 A	3300			13.6	49.8
AEF3315800	AEF3315801	315 A	3315			14.3	52.3
AEF3350800	AEF3350801	350 A	3350			15.8	58.1
AEF3400800	AEF3400801	400 A	3400			18.1	66.3
AEF3500800	AEF3500801	500 A	3500			22.6	82.9
AEF3550800	AEF3550801	550 A	3550			24.9	91.2
AEF3630800	AEF3630801	630 A	3630			28.5	104.5

### PART NUMBER SYSTEM

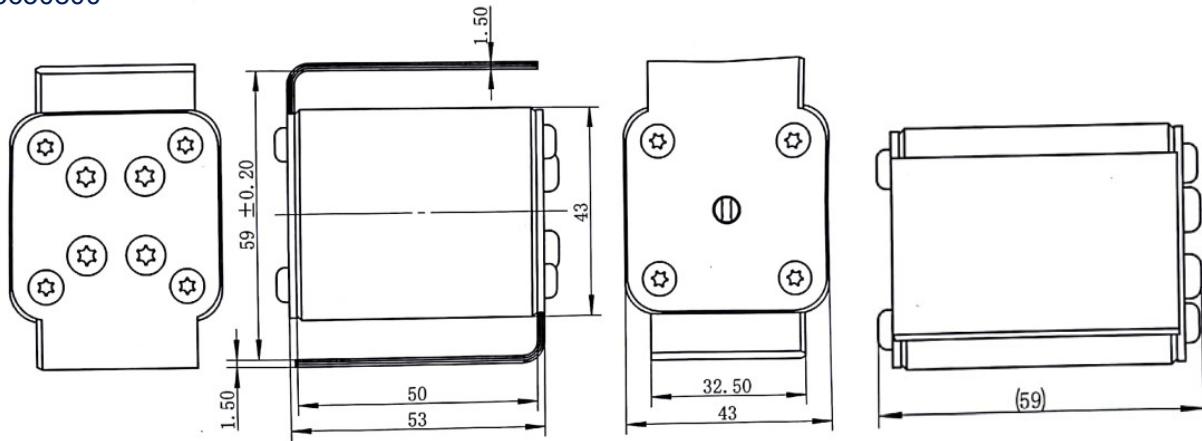


- 1 .....Product Series ..... AEF
- 2 ..... Ampere Code ..... 630 A (see ampere code column of electrical specifications)
- 3 ..... Rated Voltage..... 8: 800 VDC
- 4 ..... Blade Thickness ..... 00: 1.5mm; 01: 2.5mm

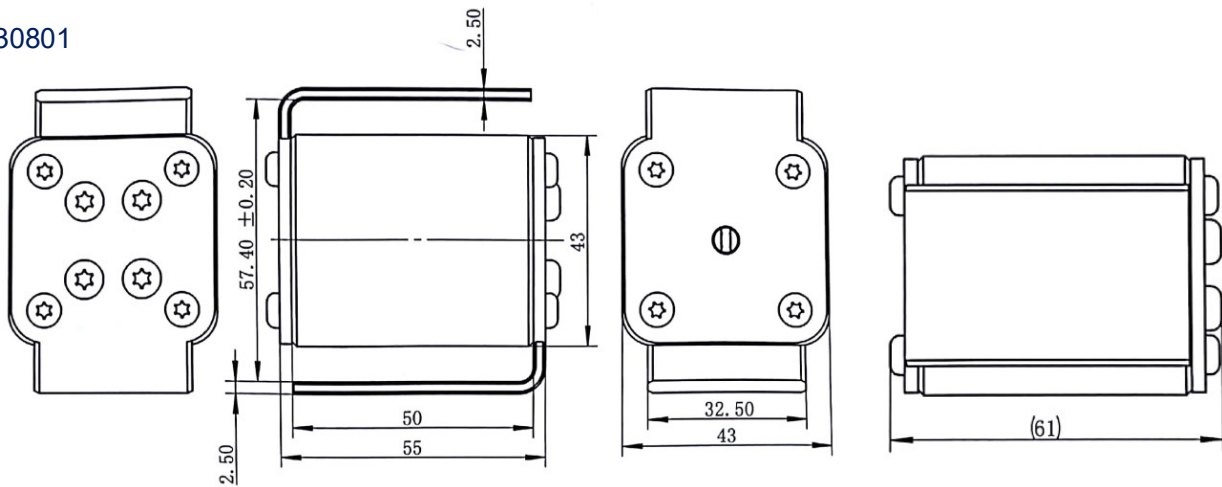


adler®  
DIMENSIONS (mm)

AEF3630800



AEF3630801



TIME CURRENT CURVE

